

# ALFRED TEVES BRAKE SYSTEMS (PTY) LTD

## TECHNICAL BULLETIN

SEPTEMBER 2024

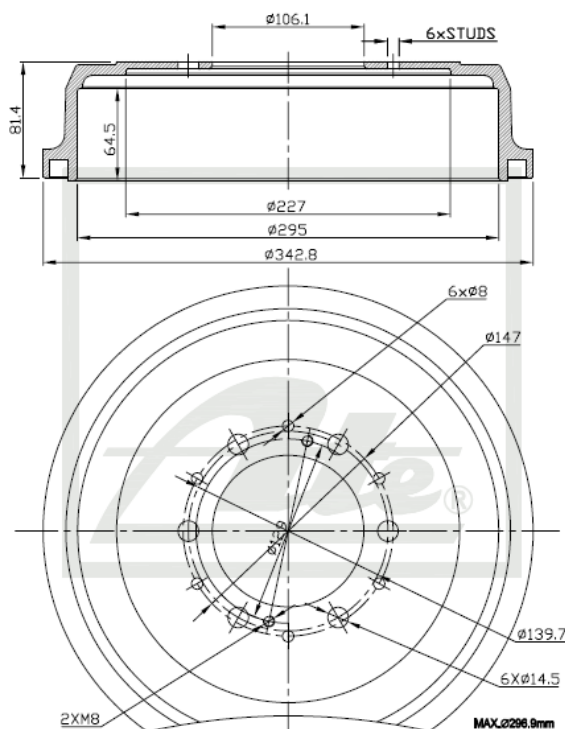
# 229.5004



(ATE and Teves are registered trademarks of Continental Teves AG & Co oHG and/or its affiliates in Frankfurt Germany and other Countries)

### NEW PART NUMBER

#### Drawing



#### Details of New Part

Brake Drum – Rear

#### Product Dimensions

Outer Diameter – 342.8mm

Inner Diameter – 295.0mm

Height – 83.1mm

PCD – 139.7mm

Spigot – 106.1mm

#### Package Dimensions

Weight – 9000g

L – 400mm

W – 370mm

H – 95mm

#### Barcode



229.5004

#### Vehicle Applications

HILUX IV (\_N5\_, \_N6\_) [1984-97] 2.2; 2.4 D 4WD

HILUX V (\_N\_, KZN1\_, VZN1\_) [1988-97] 2.2; 2.4 D 2WD; 2.4 D 4WD; 2.4i 4WD

HILUX VI (\_N1\_) [1997-05] 2.0; 2.4 4WD; 2.4 TD 2WD & 2.4 TD 4WD

HILUX VI (\_N1\_) [1997-05] 2.4 TD 2WD; 2.4 TD 4WD; 2.4i 4WD; 2.5 D-4D 4WD; 2.7 2WD; 2.7 4WD; 2.8 D 4WD; 3.0 D; 3.0 TD 4WD; 3.4 4WD

LAND CRUISER 70 [1984-] 2.4; 3.0 TD; 2.4 TD

LAND CRUISER PRADO (J9\_) [1996-02] 3.0 TD

QUANTUM IV (\_H1\_) [1989-04] 2.4 4WD; 2.4 D 4WD

Front

Position

Rear



**CALL NOW TO ORDER YOUR STOCK!!!**

(011) 898 1800

Picture(s) of the vehicle(s) that this part is suitable for



www.ate.co.za

"Single Minded about YOUR Safety"